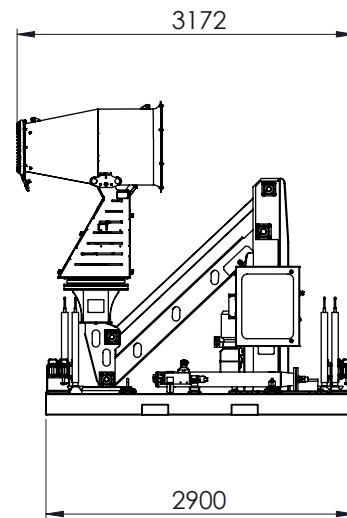


FOG CANNONS DEMOLITOR 70 WITH ARM

| Technical Data | Skid |
|---|--|
| Jet length | 50/60 m |
| Dimensions (Length x Height x Width mm) | 3172 x 2952 x 1200 |
| Full Height - With Arm Extended | 5728 mm |
| Weight kg | 1520 kg |
| Site Mobility | Skid with adjustable legs Forklift tyne pockets |
| Rotation angle | Up to 340° programmable |
| Tilt angle | Electric from -20° to +45° |
| Noise levels | < 85 dB(A) |
| Minimum pressure | 1 Bar |
| Rings of nozzles | 1 |
| Nozzles per ring | 50 |
| Washable stainless-steel filter | Yes |
| Jet diameter | 30 m |
| IP degree of protection | IP 55 |
| Power supply | |
| Power Supply | 32A Plug |
| Total electric power installed | 20 Kw |
| Fan power | 11 Kw |
| Water pump power | 7.5 Kw |
| Amperage | 31 Amp |
| Features | |
| Remote control | Standard |
| Rotation system | Standard |
| Solenoid valve at water filter inlet | Standard |
| High-efficiency electric pump | Standard |
| Tilt with servo actuator | Standard |
| Water Consumption | |
| Nozzle Types | 0.95 LPM |
| Water discharge pressure | 12 Bar |
| Water consumption | 35 L/min |

Key Features

- Suitable for working in extreme conditions.
- High efficiency stainless steel multistage water pump.
- Mounted on a steel base with tyne pockets or trailer for easy positioning.
- High efficiency submersible pump.
- Adjustable rotation angle and tilt.
- Remote activation by remote control
- Low noise fan



FOG CANNONS DEMOLITOR 70 WITH ARM

